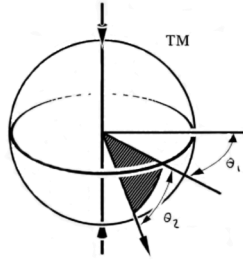


# Polar<sup>®</sup> Focus



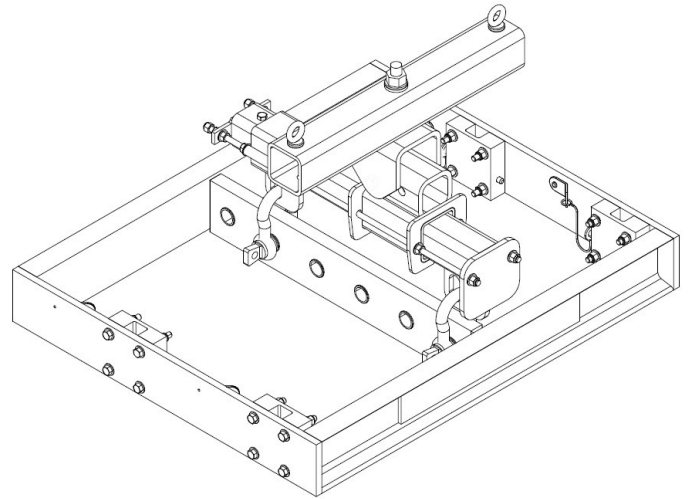
Ultimate Line Array Rigging

## SFA-16-1100

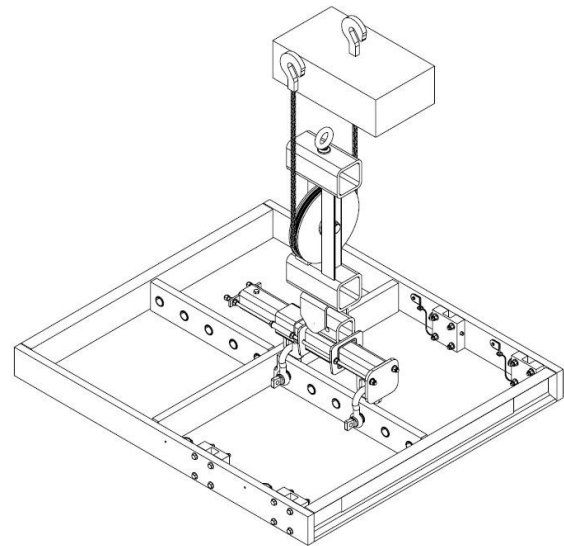
### Spine Frame Adapter

Designed for installation or portable use, the Spine Frame Adapter provides infinitely adjustable tilt control to a line array with the common front to back spine support frame configuration. Conforming to Polar Focus standards, this product has a 10:1 design factor. The SFA-16-1100 will accept standard anchor shackles from 5/16" to 3/4", allowing it to be attached to almost any common spine type line array frame.

The tilt of the line array is adjustable under full load with a 9/16" wrench, and can be locked down. For permanent installations, use blue thread lock under the locking nuts. Pan angle of the line array is controlled and adjusted by components not included on the SFA-16-1100.

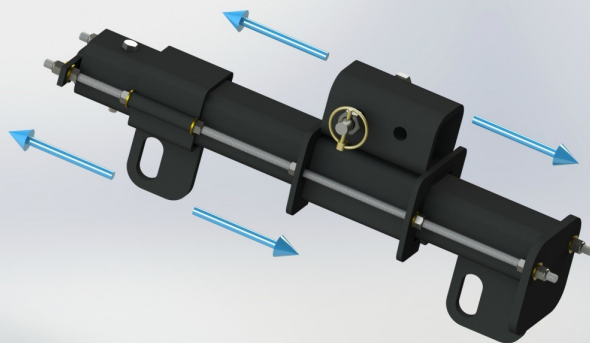


*Figure 1. The SFA-16-1100 combined with a Zbeam<sup>®</sup> half, supporting a JBL Vertec VT4887-SF line array frame. This hardware configuration allows for pan and tilt control of the line array while under load.*

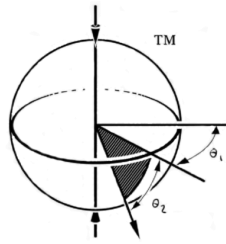


*Figure 2. The SFA-16-1100 combined with a Polar Focus Motor Zbeam<sup>®</sup>, supporting a JBL Vertec VT4888-AF line array frame. This hardware configuration allows for pan and tilt control of the line array while under load. The line array can also be raised or lowered for service using only one electric chain hoist.*

### Infinitely Adjustable



# Polar<sup>®</sup> Focus



## Ultimate Line Array Rigging

### Architectural Specification:

The rigging device shall allow for infinitely adjustable tilt control while under load. It shall accept at its two load points shackles ranging in size from 5/16" to 3/4". The position of the pickup points shall be infinitely adjustable over the operational range. The position to support the rigging device shall be infinitely adjustable under load over the operational range. It shall be manufactured of structural steel. It shall have a Working Load Limit of 1100 lbs (500 kg) with a 10:1 design factor. The rigging device shall be the SFA-16-1100.

Overall Length: 24-7/16" (621mm)  
Overall Height: 9-1/8" (232mm)  
Overall Width: 6" (152mm)  
Weight: 31 lbs (13.06 kg)  
Primary Material: Structural Steel  
WLL: 1100 lbs (500 kg)  
Shipping Weight: 36 lbs (16.33 kg)  
Shackle Hole Spacing: Infinitely Adjustable  
Pickup Position: Infinitely Adjustable  
Accepts shackle sizes: 5/16" to 3/4"  
Finish: Powder Coat Black, White, or Custom

